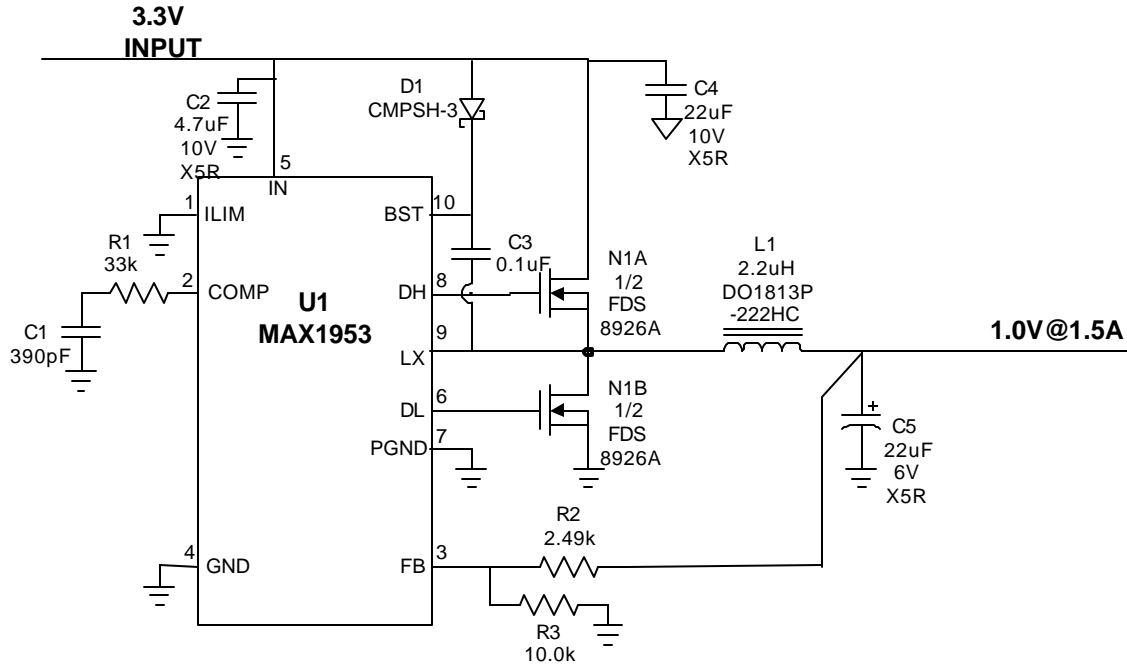


Ink jet printer



1953_1v
RWY
4/15/02

MAXIM CONFIDENTIAL

This circuit has not been built and some tweaking may be necessary.

BILL OF MATERIALS

3.3V Input

1.0V @ 1.5A Output

4/15/02

1953_1v

DESIGNATION	QTY	DESCRIPTION
C1	1	390pF ceramic capacitor (0603)
C2	1	4.7uF 10V X5R ceramic capacitor (1206) Taiyo Yuden LMK316BJ475ML
C3	1	0.1uF ceramic capacitor (0603)
C4	1	22uF 10VX5R ceramic capacitor (1812) Taiyo Yuden LMK432BJ226MM
C5	1	22uF 6V X5R ceramic capacitor (1210) Taiyo Yuden JMK325BJ226MN
D1	1	100mA 30V Schottky diode Central Semi CMPSH-3
L1	1	2.2uH 3.5A Power Inductor Coilcraft DO1813P-222HC
N1	1	38m Ohm 30V Dual N-ch MOSFET (SO-8) Fairchild FDS8926A
R1	1	33k Ohm 5% resistor (0603)
R2	1	2.49k Ohm 1% resistor (0603)
R3	1	10.0k Ohm 1% resistor (0603)
U1	1	MAX1953EUB (10-uMAX)