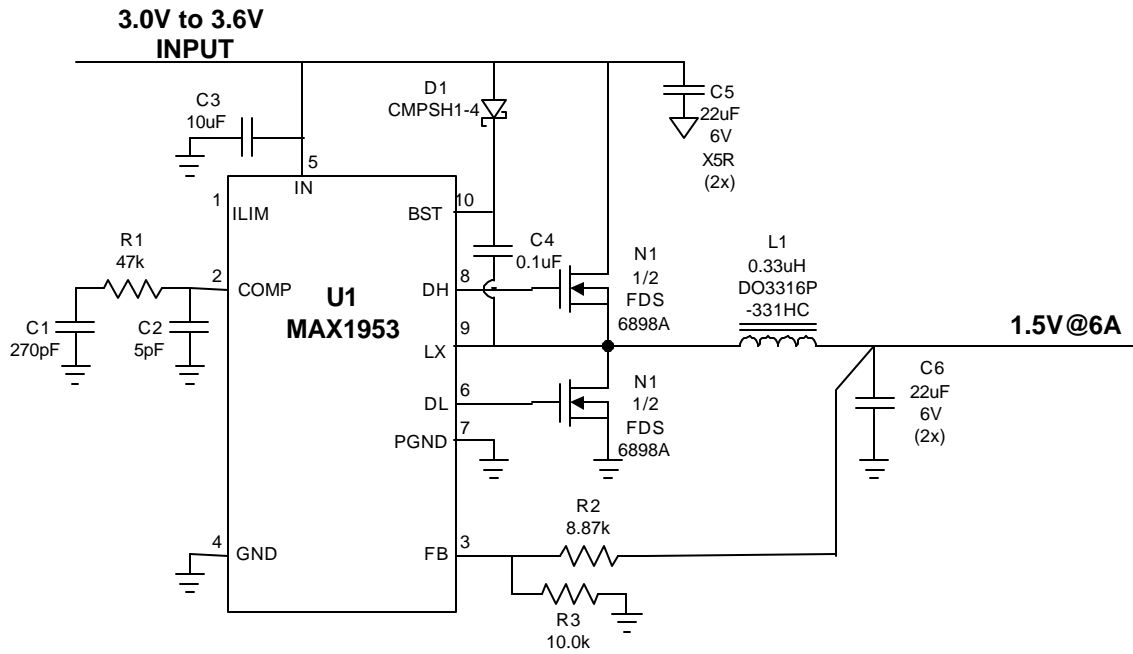


Base-Station



1953_1b5
RWY
3/04/02

Efficiency Data

V _{in}	I _{in}	V _{out}	I _{out}	Efficiency
3.2999	0.056	1.5121	0	
2.9939	3.477	1.5097	6.003	0.870
3.2992	3.149	1.5091	6.003	0.872
3.6030	2.888	1.5103	6.003	0.871

BILL OF MATERIALS
3.0V to 3.6V Input
1.5V @ 6A Output
3/05/02

1953_1b5

DESIGNATION	QTY	DESCRIPTION
C1	1	270pF ceramic capacitor (0603)
C2	1	5pF ceramic capacitor (0603)
C3	1	10uF 10V X5R ceramic capacitor (1210) Taiyo Yuden LMK325BJ106MN
C4	1	0.1uF ceramic capacitor (0603)
C5,C6	4	22uF 6V X5R ceramic capacitor (1210) Taiyo Yuden JMK325BJ226MM
D1	1	0.1A 30V Schottky diode (SOT-23) Central Semi CMPSH-3
L1	1	0.33uH 20A Power Inductor Coilcraft DO3316P-331HC
N1	1	14m Ohm 20V Dual N-ch MOSFET (SO-8) Fairchild FDS6898A
R1	1	47k Ohm 5% resistor (0603)
R2	1	8.87k Ohm 1% resistor (0603)
R3	1	10.0k Ohm 1% resistor (0603)
U1	1	MAX1953EUB (10-uMAX)