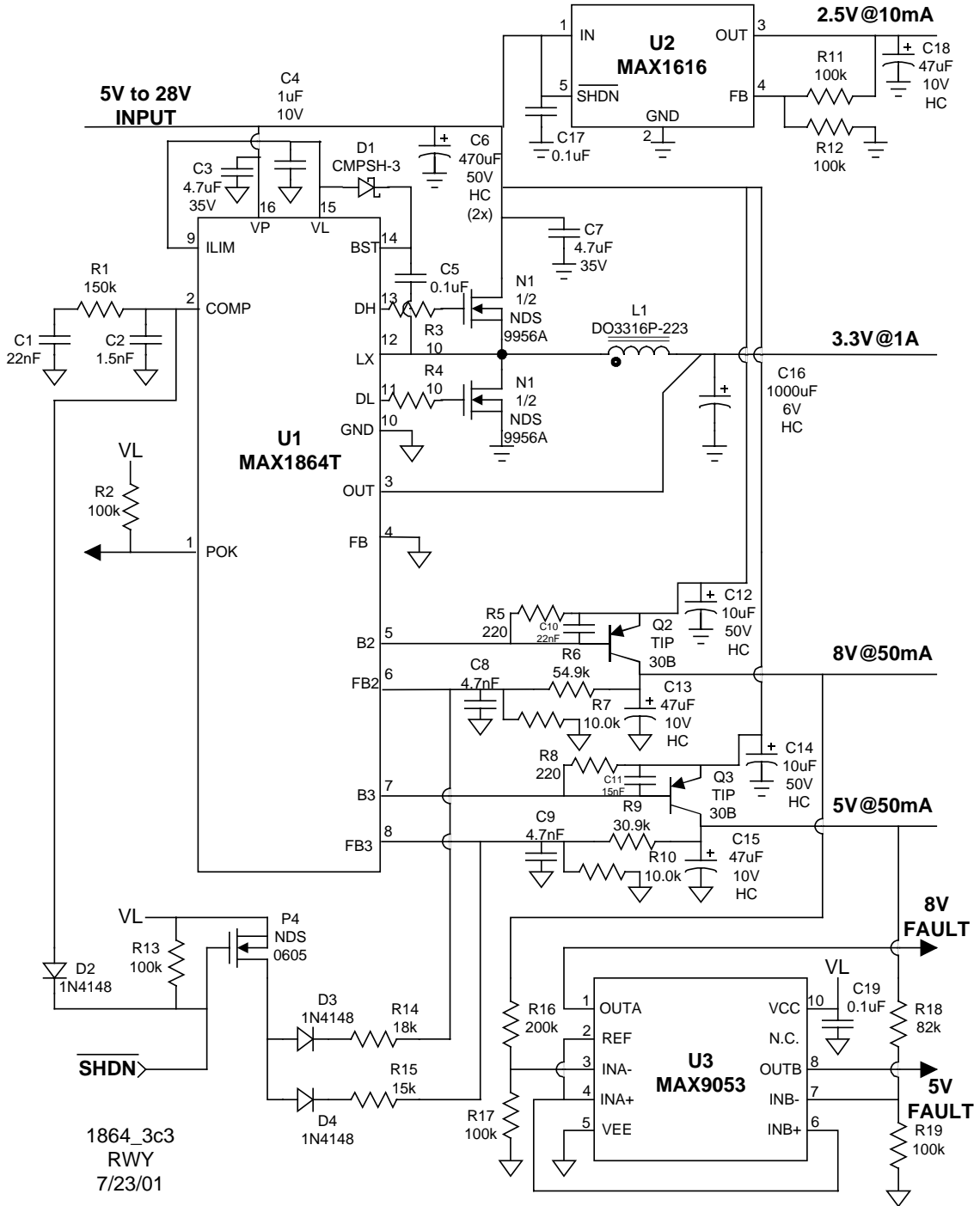


Telematics in car



BILL OF MATERIALS**5V to 28V Input****3.3V @ 1A, 8V @ 50mA, 5V @ 50mA, 2.5V @ 10mA Output**

1864_3c3

7/23/01

DESIGNATION	QTY	DESCRIPTION
C1,C10	2	22nF ceramic capacitor (0805)
C2	1	1.5nF ceramic capacitor (0805)
C3,C7	2	4.7uF 35V Y5V ceramic capacitor (1206) Taiyo Yuden GMK316F475MG
C4	1	1uF 10V X7R ceramic capacitor (0805) Taiyo Yuden LMK212BJ105MG
C5,C17,C19	3	0.1uF 50V ceramic capacitor (0805)
C6	2	470uF 50V aluminum electrolytic cap Sanyo 50MV470HC
C8,C9	2	4.7nF ceramic capacitor (0805)
C11	1	15nF ceramic capacitor (0805)
C2, C14	2	10uF 50V aluminum electrolytic cap Sanyo 50MV10HC
C13, C15,C18	3	47uF 10V aluminum electrolytic cap Sanyo 10MV47HC
C16	1	1000uF 6V aluminum electrolytic cap Sanyo 6MV1000HC
D1	1	100mA 30V Schottky diode (SOT-23)
D2,D3,D4	3	10mA 100V silicon diode (DO41) 1N4148
L1	1	22uH 1.5A Power Inductor Coilcraft DO3316P-223
N1	1	Dual N-channel MOSFET (SO-8) Fairchild FDS9956A
P4	1	P-channel MOSFET (SOT-23) Fairchild NDS0605
Q2,Q3	2	1A 80V PNP Transistor (TO-220) TIP30B
R1	1	150k Ohm 5% resistor (0805)
R2,R13,R17,R19	4	100k Ohm 5% resistor (0805)
R3,R4	2	10 Ohm 5% resistor (0603)
R5,R8	2	220 Ohm 5% resistor (0805)
R6	1	54.9k Ohm 1% resistor (0805)
R7,R10	2	10.0k Ohm 1% resistor (0805)
R9	1	30.9k Ohm 1% resistor (0805)
R7,R10	2	220 Ohm 5% resistor (0805)
R11,R12	2	100k Ohm 1% resistor (0805)
R14	1	18k Ohm 5% resistor (0805)
R15	1	15k Ohm 5% resistor (0805)
R16	1	200k Ohm 5% resistor (0805)

R18	1	82k Ohm 5% resistor (0805)
U1	1	MAX1865TEEP (20-QSOP)
U2	1	MAX1616EUK (5-SOT23)
U3	1	MAX9053BEUB (10-uMAX)